


PRODUCT SHEET

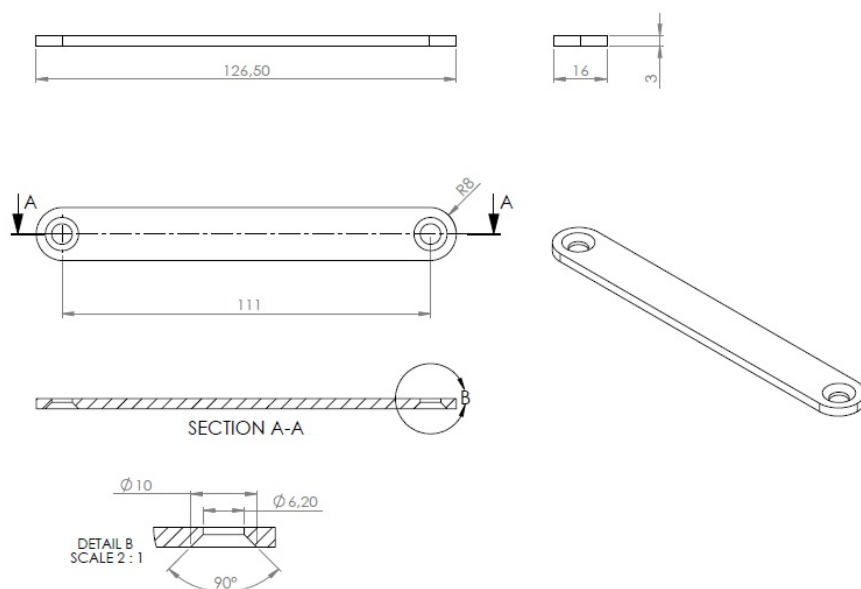
Description:

Steel Strap, YZP 6 MY, L 126,5mm,W 16mm,Thick 3.0mm,cc 111mm

Item number:

04.03.432-0

| Units | Box | Carton | HS Code | Barcode |
|-------|-----|--------|------------|--|
| Pcs. | 1 | 500 | 8302420090 |  |
| | | | | 5704866439169 |



SISO A/S

Mileparken 11
DK-2740 Skovlunde
Denmark
VAT: DK 24786013

Phone +45 45 830 900

www.siso.dk
siso@siso.dk

Danske Bank
Nytorv Branch
Copenhagen
SWIFT: DABADKKK

Account no.
4180 3112 112936
IBAN Account
DK7230003112112936